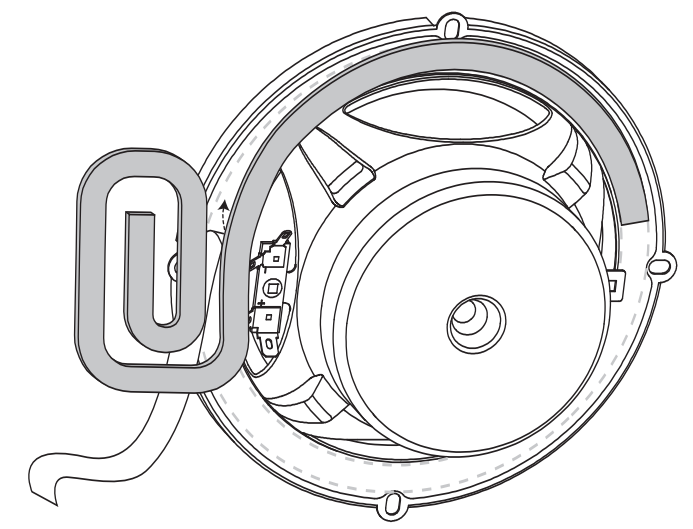
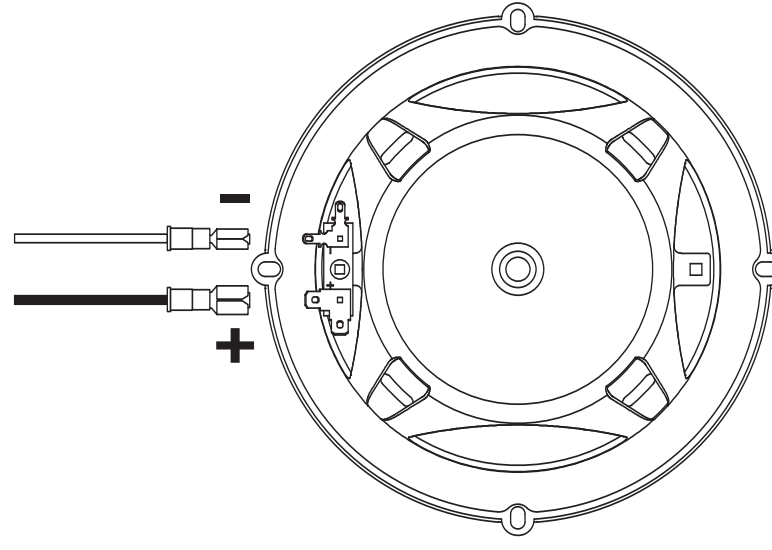
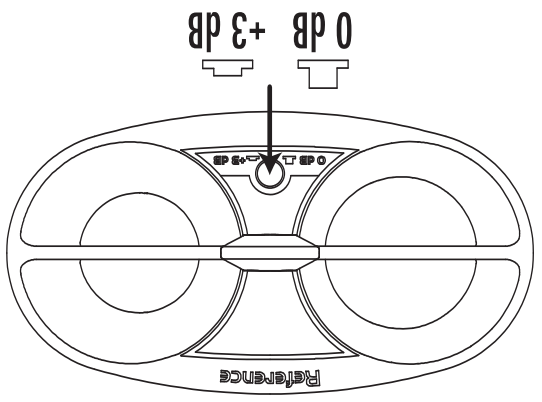


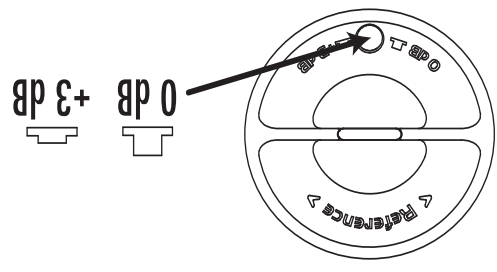
5022i, 6022i, 6022si, 6522i, 6522si, 9622i, 9623i, 8023i, 3022cf



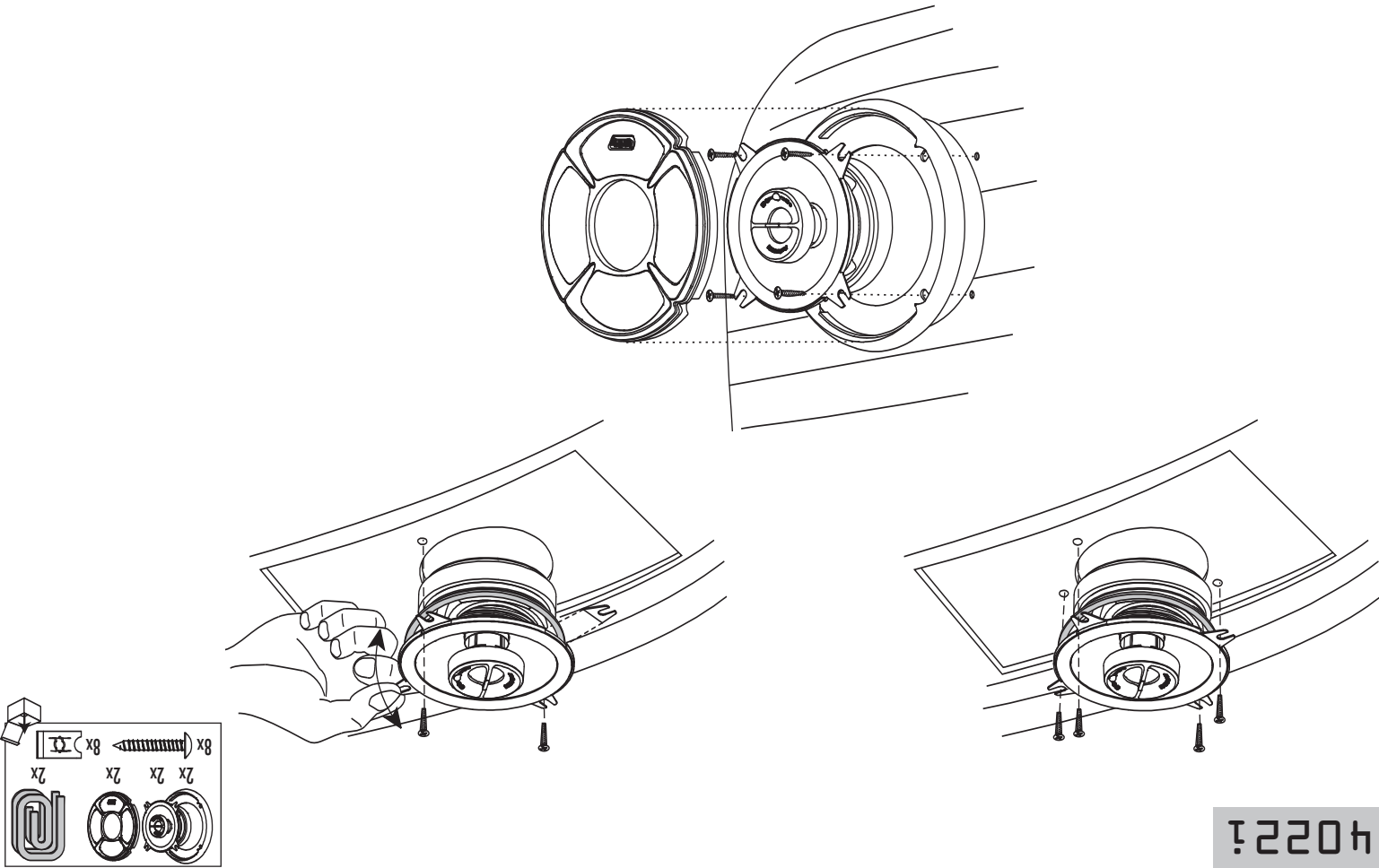
4022i, 5022i, 6022i, 6022si, 6522i, 6522si, 9622i, 9623i, 8023i, 3022cf, 6422cf, 6422cfp, 6822cf



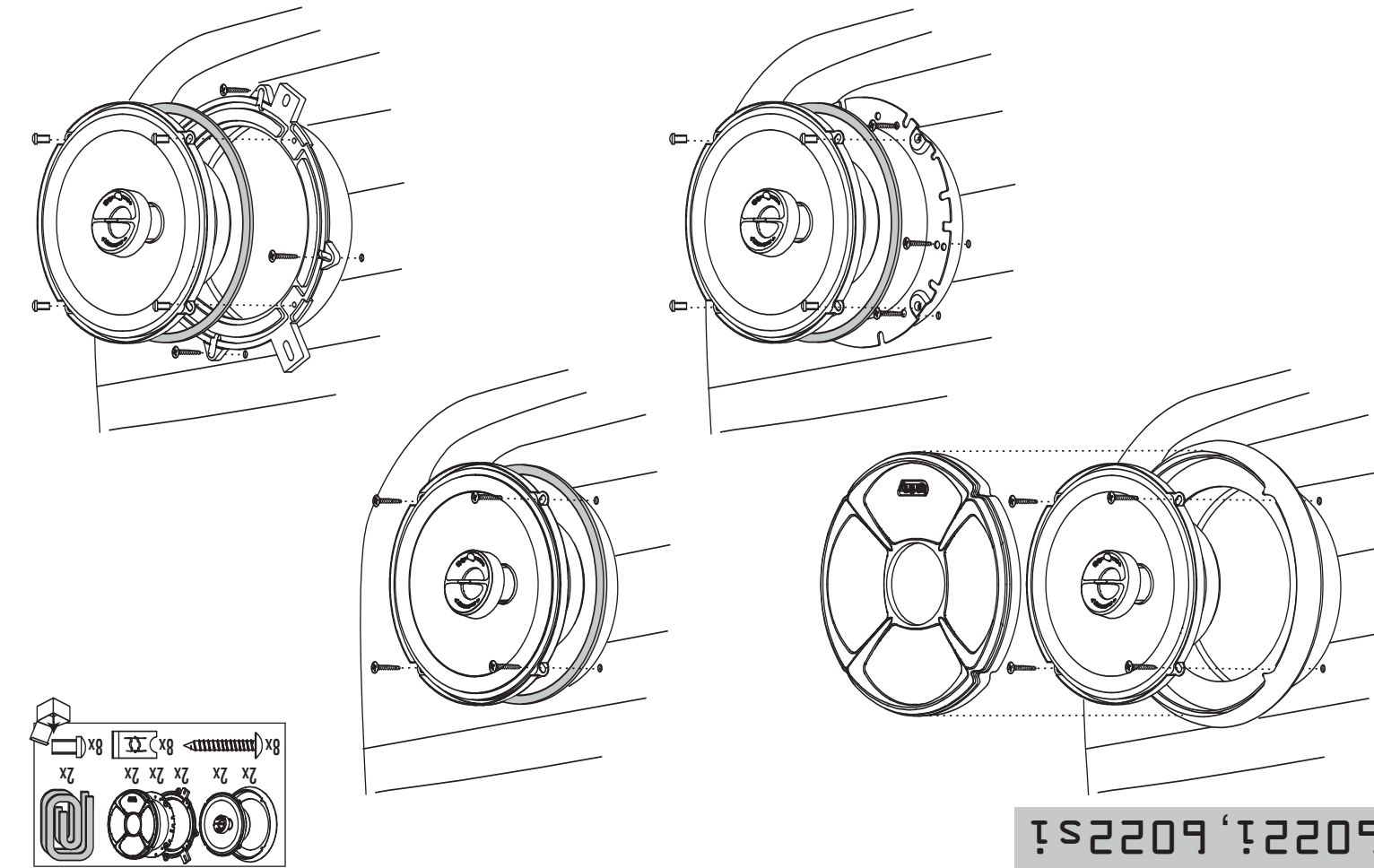
9623i, 8023i



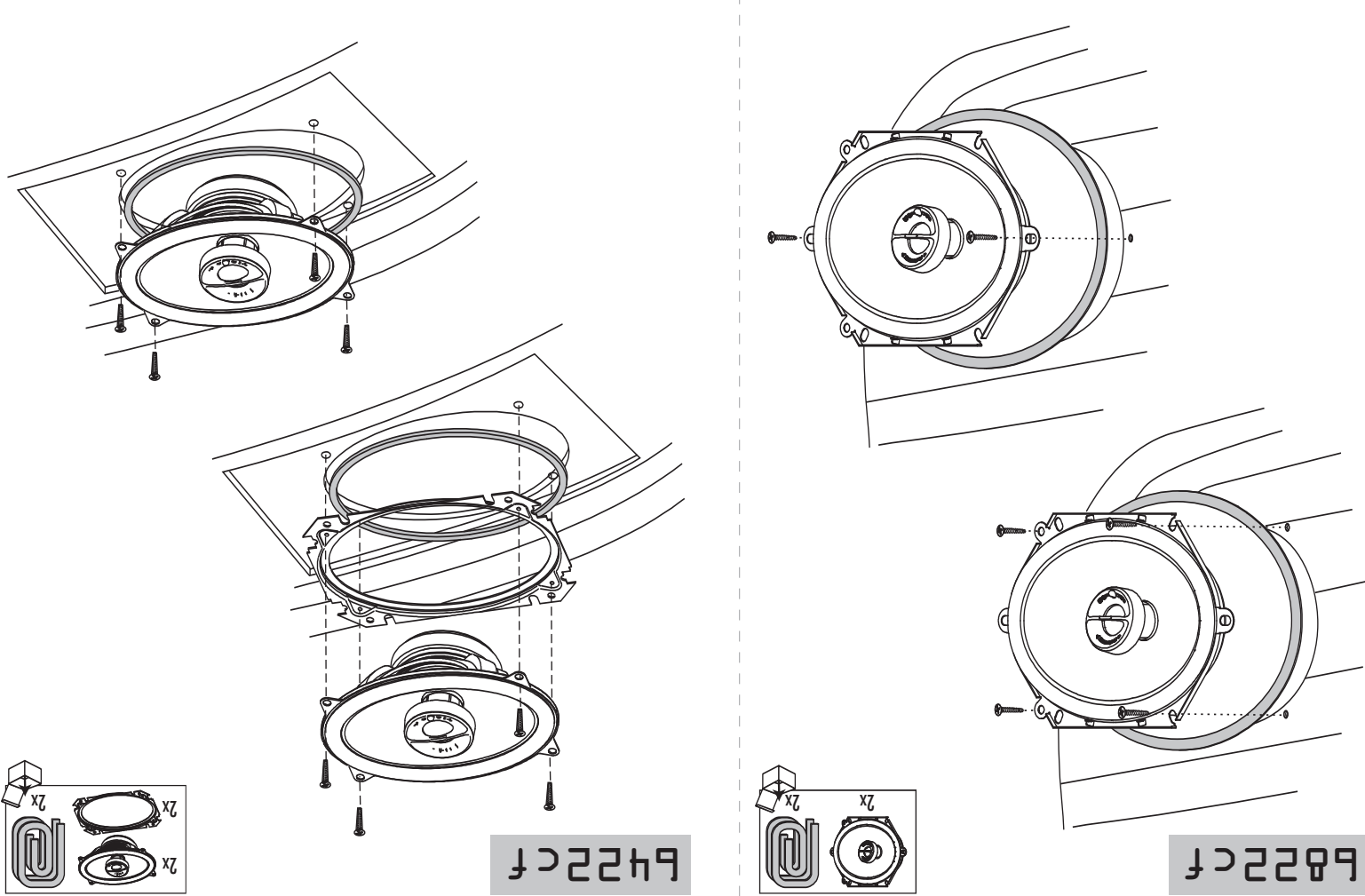
4022i, 5022i, 6022i, 6022si, 6522i, 6522si, 9622i, 9623i, 8023i, 3022cf, 6422cf, 6422cfp, 6822cf



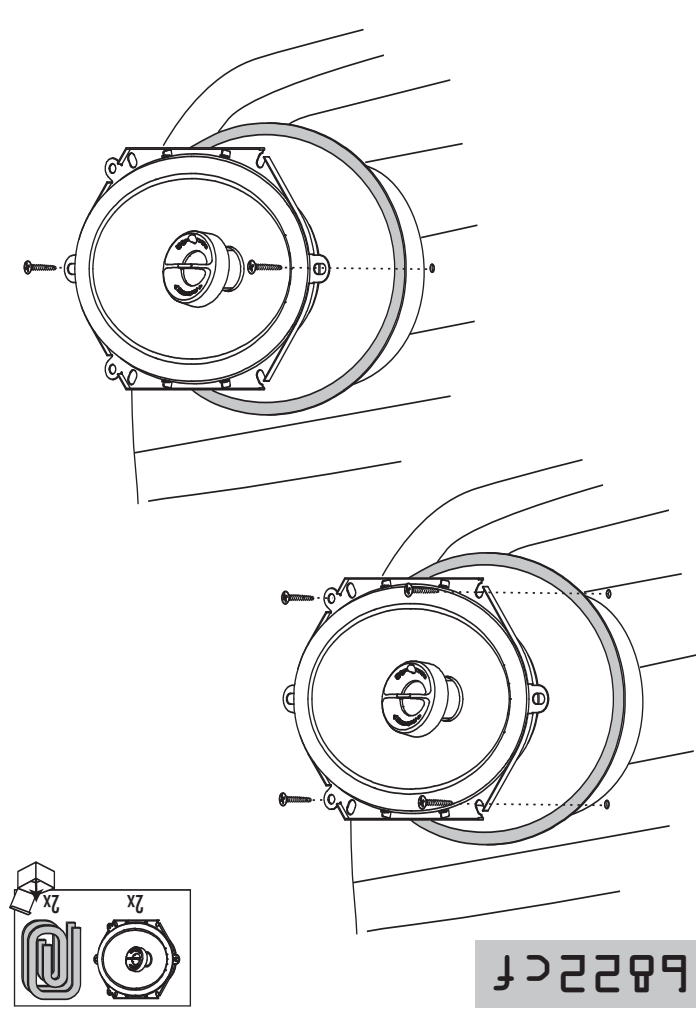
4022i



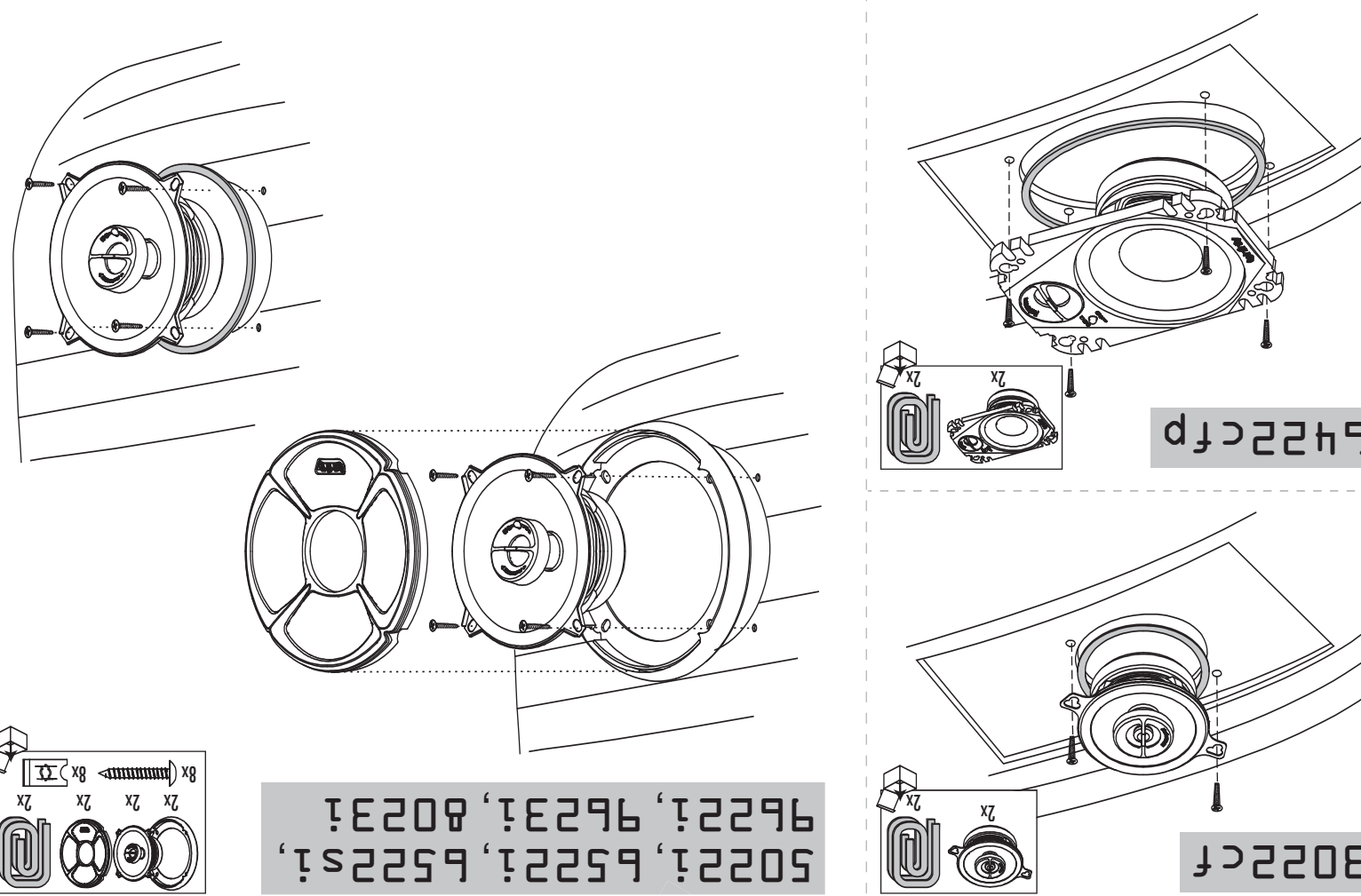
6022i, 6022si



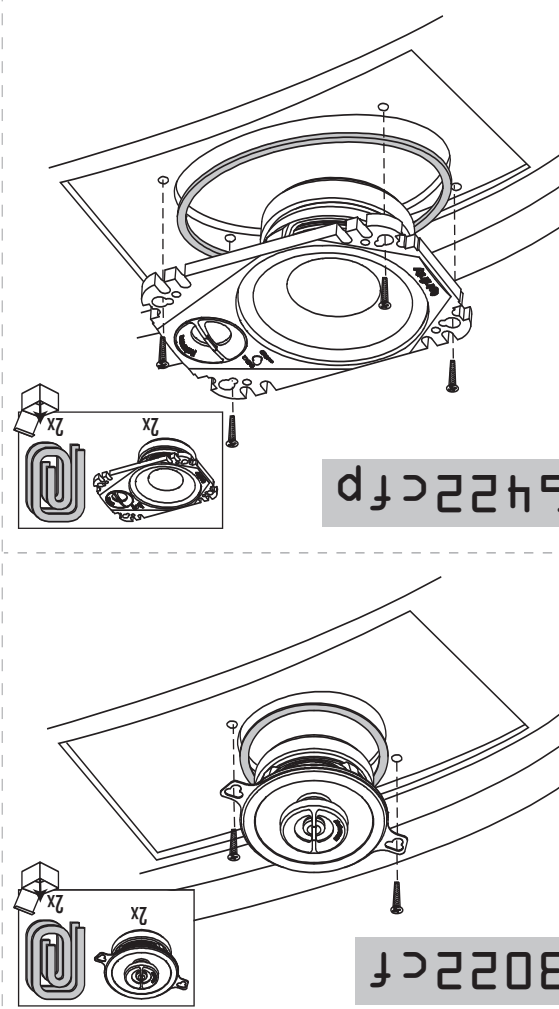
6422cf



6822cf



5022i, 6022i, 6022si, 6522i, 6522si, 9622i, 9623i, 8023i



6422cfp

3022cf

4022i, 5022i, 6022i, 6022si, 6522i, 6522si, 9622i, 9623i, 8023i, 3022cf, 6422cf, 6422cfp, 6822cf



Infinity

instructions

reference series

Declaration of Conformity
CE
We, Harman Consumer Group International
2, route de Tours
72500 Château du Loir
France
declare in own responsibility that the products described in this owner's manual
are in compliance with technical standards:
EN 61000-6-3:2001
EN 61000-6-1:2001
Klaus Leberherz
Harman Consumer Group International
Château du Loir, France 10/06

A valid serial number is required for warranty coverage.
Features, specifications and appearance are subject to change without notice.
This product is designed for mobile applications and is not intended for connection to the mains.
Infinity Systems • 2 route de Tours, 72500 Château du Loir, France • www.infinitysystems.com
© 2008 Harman International Industries, Incorporated. All rights reserved. Part No. REFMEOM10/08
Infinity is a trademark of Harman International Industries, Incorporated,
registered in the United States and/or other countries.

Infinity
TECHNOLOGY • PERFORMANCE • DESIGN
A Harman International Company

